

**INSTALL YSS CCG CARTRIDGE KIT
(NOTE - KITS ARE PRESSURISED WITH GAS)**

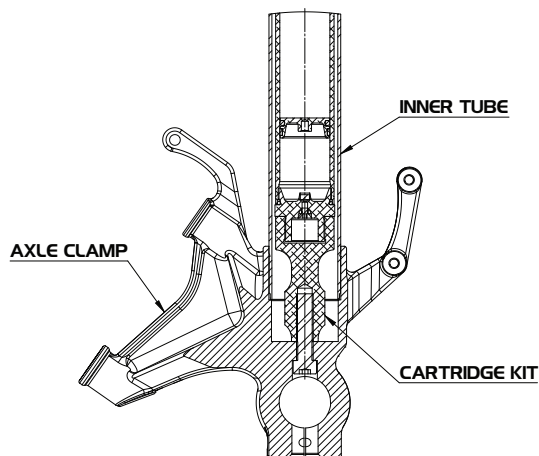
- I. Remove Top Cap, Spring Support and Pre-load tube.
2. Apply Assembly grease to the End Cap's O- Ring.
3. Install YSS CCG Tube Assembly into the Inner Tube.
(b) Using YSS Seal Block Tool) Torque to 20 Nm.
4. Add YSS Fork Fluid and Set Oil Height according to table Recommended Adjustment Setup. (d) Using YSS Oil Level Suction Tool)
5. Install Spring Assembly and Spring Support.
6. Install [d] YSS Pull Up Tool and Compress Spring so as to enable fitting of [e] YSS 17 mm. Spanner, Remove Pull Up Tool
7. Install Top Cap and Torque to 15 Nm , Remove 17mm YSS Spanner
8. Stroke Outer Tube to Bleed any Air out of the System.
9. Assemble Top Cap to Outer Tube and Torque to 10 Nm.
10. Set Compression, Rebound and Main Spring adjusters according to table Recommended Adjustment Setup.
- II. Install Front Fork legs into Triple Clamps ,Set Fork Position, Torque bolts to Factory Service Manual Specifications
12. Remaining Installation, Refer to Factory Service Manual.

**RECOMMENDED ADJUSTMENT SETUP
CCG CARTRIDGE KIT
FOR TRIUMPH STREET TRIPLE 765RS '16-19**

Recommended Adjustment Setup	
Compression Adjustment	15 Clicks
Rebound Adjustment	15 Clicks
Oil Level mm.	145 mm.
YSS Fork Fluid Number	YSS Racing Fork Fluid (5W)

Fork Spring	Softer	Standard	Harder
- Spring Rate (N/mm.)	85	90	95
- Preload Set (mm.)	X	0-3	X
- Part Number	LR350A085S260A0R-G	LR350A090S260A0R-G	LR350A095S260A0R-G

**YSS VIDEO SUPPORT
INSTALLATION INSTRUCTION MANUAL
www.ysssuspension.com**



Y.S.S. (THAILAND) CO.,LTD.
88/88 M.9 SOI PHIKULTHONG
THEPHARAK RD., BANGPLA, BANGPHU,
SAMUTPRAKARN 10540 THAILAND
TEL : +66 2763 8600 FAX : +66 2763 8829
www.ysssuspension.com
www.facebook.com/YSS-THAILAND

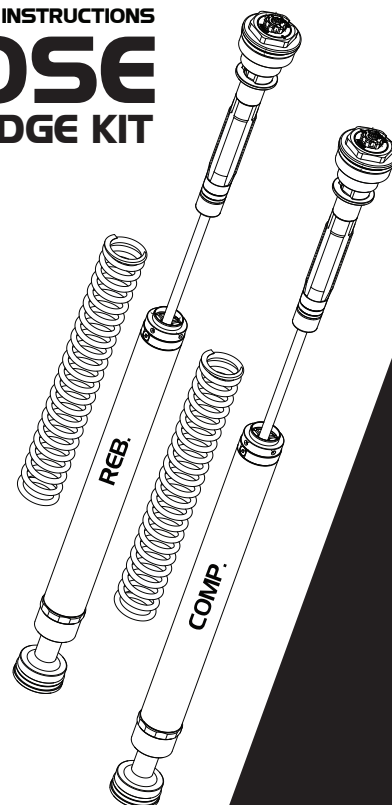
WORLD CLASS SUSPENSION

**TRIUMPH
STREET TRIPLE 765RS
'16-19**



INSTALLATION INSTRUCTIONS

**CLOSE
CARTRIDGE KIT**



www.ysssuspension.com
4J81-270-00

CLOSE CARTRIDGE KIT

TRIUMPH/STREET TRIPLE 765RS '16-19



INSTRUCTION MANUAL

NOTE : ⚠ This Symbol Points out Important Safety Instructions which if not followed could endanger your Personal Safety. Read and follow all Instructions in this Installation manual and any others provided with this equipment.

"Please note that there can be Small Differences between your product and the images in these instructions"

Included in this Cartridge kit is the following :

- Cartridge Kit
- Fork Springs
- Pre-Load Adjuster Spanner
- YSS Warranty Card

YSS SPECIAL TOOLS.

- | | |
|------------------------------------|-------------|
| A. YSS MIO Pull up Tool | OV99-070-90 |
| B. YSS Oil level Suction Tool | OV99-202-00 |
| C. YSS Spanner | OV99-088A92 |
| D. YSS Fork Spring Compressor Tool | OV99-091-80 |
| E. YSS Pull up Tool MIO | OV99-073-91 |

⚠ WARNING !

Before installing your YSS Product, Read the Instructions.
Incorrect Installation will affect the Stability of your Motorcycle.

CARTRIDGE KIT

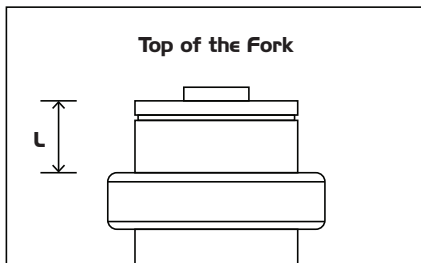
- Close Cartridge Gas Kit
- Pre-Load Adjustable
- Compression and Rebound Adjustable

⚠ WARNING !

YSS Cartridge Fork Kit must be Installed by an Authorised YSS Service Center

REMOVE ORIGINAL FRONT FORK

1. Place the Motorcycle on the Centerstand so that the front wheel barely touches the ground.
2. Remove Front Fender, Brake Calipers, Speed sensor (if present) and front wheel.
3. Release Main Spring Preload Fully
4. Note- Front Fork leg Position and Measure
5. Loosen Upper Triple Clamp Bolts
6. Loosen Lower Triple Clamp Bolts
7. Remove Front Fork Legs from Triple Clamps



DISASSEMBLE ORIGINAL FRONT FORK

1. Loosen Top Cap from Outer Tube
2. Slide Outer Tube down until it stops.
3. Remove Top Cap from Shaft according to instructions in the vehicle service manual. (a) Using YSS Fork spring compressor tool)
4. Remove Main Spring and associated parts as per Vehicle Service Manual
5. Drain Front Fork leg of Suspension fluid.
6. Remove Original Dampening Assembly. (b) Using YSS Seal Block Tooling)
7. Thoroughly Clean Inner Tube with a Quality Parts Cleaner.

